

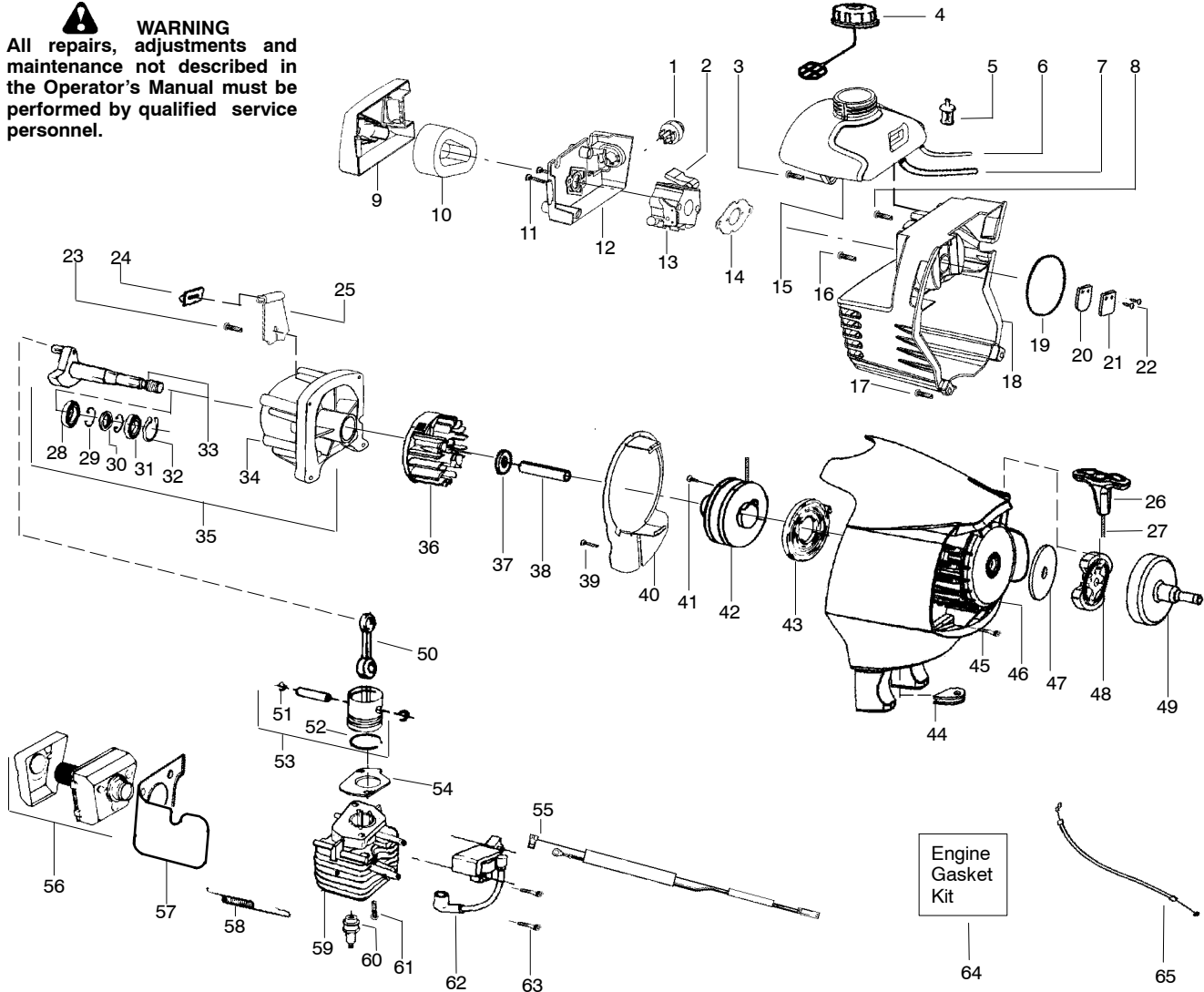
▲ WARNING
All repairs, adjustments and maintenance not described in the Operator's Manual must be performed by qualified service personnel.

Ref.	Part No.	Description	Ref.	Part No.	Description	Ref.	Part No.	Description
1.	530015805	Screw-alignment	21.	530096100	Gearbox	41.	537419601	Knob
2.	530015886	Screw	22.	530016312	Screw	42.	530071947	Kit-Metal Shield
3.	545018901	Hsg.-Throttle-right	23.	530096218	Shaft-Flex (lower)	43.	530095815	Dust cup
4.	545017601	Lockout-Throttle	24.	545006012	Kit-Lower Shaft	44.	530055892	Assy.-Weed Blade
5.	530016326	Screw-Cable Ret.	25.	530016014	Screw	45.	530095816	Washer
6.	545018701	Hsg.-Throttle-left	26.	530015775	Screw	46.	530016240	Washer-Belleville
7.	530058843	Assy-Wire	27.	530094408	Shoulder Strap	47.	530015793	Nut-Flange
8.	530069572	Kit-Switch	28.	530056401	Wrench	Not Shown		
9.	530057986	Clamp-Harness(upper)	29.	530052286	Limiters-Line	---		Operator Manual
10.	530058563	Clamp-Bracket	30.	530015814	Screw	545123415		(Euro I)
11.	530015940	Screw	31.	530015820	Bolt	545123414		(Scan)
12.	530071974	Kit-Handlebar (incl. grip, cap, decal)	32.	545026701	Kit-Shield Assy. (incl. 28,29,30,31,33)	545123413		(Euro II)
13.	530058759	Trigger-Throttle	33.	530015197	Nut	545123411		(Euro III)
14.	530016473	Spring-lockout	34.	537419202	Assy-TNG 7 (Incl. 35,36,37,38,39,40,41)	545123412		(Euro IV)
15.	530057987	Clamp-Harness(lower)	35.	537419302	Housing	545123417		(Euro V)
16.	530015940	Screw	36.	537419801	Adapter	545123416		(Turkish)
17.	545024501	Clamp-Handlebar	37.	537338801	Spring	✓ 545075701		Decal-Shaft Warn (lower)
18.	545006013	Kit-Upper Shaft (Incl. Flex, clamp & 19)	38.	530096328	Assy-spool (incl. line)	530056335		Decal-Blade Direction
19.	530016344	Screw	39.	537419701	Eyelet	530031159		Wrench-Hex 5/32"
20.	530057554	Bracket-Shield	40.	537419401	Cover	✓ 545075601		Decal-Shaft Warn (upper)
						502035505		Guard-Transport

✓ = NEW PART NUMBER FOR THIS IPL

* = REFER TO THE SERVICE REFERENCE INDICATED FOR MORE INFORMATION. (LOCATED AT END OF IPL)

WARNING
All repairs, adjustments and maintenance not described in the Operator's Manual must be performed by qualified service personnel.



Engine Gasket Kit

Ref.	Part No.	Description	Ref.	Part No.	Description	Ref.	Part No.	Description
1.	530047721	Bulb-Purge	24.	530055492	Isolator-Tank	48.	530055122	Assy-Clutch
2.	530071717	Kit-Choke Lever	25.	530054941	Ret.-Tank	49.	530150247	Assy-Clutch Drum
3.	530015843	Screw-tank	26.	530054834	Handle-Starter	50.	530010960	Assy-Conn. Rod
4.	530049386	Cap-Fuel w/ret.	27.	530071325	Kit-Rope	51.	530015162	Ret.-Piston pin
5.	530095646	Assy-Fuel pickup	28.	530032103	Bearing-Inner	52.	530012594	Ring-Piston
6.	530069247	Kit-Carb/Purge fuel line	29.	530015787	Retainer	53.	530071998	Kit-Piston (Incl. 51,52)
7.	530069216	Kit-Tank/Purge fuel line	30.	530019158	Seal	54.	530071401	Gasket-Cylinder(kit)
8.	530015775	Screw	31.	530032102	Bearing-Outer	55.	530058846	Assy-Leadwire
9.	530054935	Cover-Air box	32.	530015789	Ret.-Crankshaft	56.	530069310	Kit-Muffler
10.	530054946	Filter-Air	33.	530028807	Assy-Crankshaft	57.	530058957	Shield
11.	530015849	Screw-Carb.	34.	530012514	Assy-Crankcase (Incl. 28,29,30,31)	58.	530036409	Spring-Muffler
12.	530054934	Box-Air	35.	530071685	Assy-C'case/C'shaft (Incl. 32,33,34)	59.	530012488	Cylinder
13.	530071637	Assy-Carb(WT628)	36.	530055524	Assy-Flywheel	60.	952030249	Plug-Spark(RCJ-6Y)
(Note: Repair kits are not available for this carburetor)			37.	530016030	Washer	61.	530001624	Bolt-Cyl. 1/4-20"
14.	530071401	Gasket-Carb.(kit)	38.	530055620	Spacer	62.	530035505	Module-Ignition
15.	545075305	Assy-Fuel Tank	39.	530015775	Screw-Baffle	63.	530016357	Screw-Module
16.	530015771	Screw-Crankcase	40.	530054939	Plate-Baffle	64.	530071401	Kit-Gasket (Incl. 14,19, 54)
17.	530015952	Screw-Shroud	41.	530016391	Screw-Rope	65.	545026801	Assy-Throttle cable
18.	530058797	Shroud w/heat shield	42.	530071399	Kit-Pulley(incl.41)			
19.	530071401	O-ring-Shroud (kit)	43.	530042086	Spring-Starter			
20.	530027593	Valve-Reed	44.	530019182	Grommet			
21.	530054596	Stop-Reed	45.	530015810	Screw-F/hsg.			
22.	530016064	Screw-Reed stop	46.	530055248	Assy.-Fan Housing			
23.	530015875	Screw-Retainer	47.	530094189	Washer-Clutch			

✓ = NEW PART NUMBER FOR THIS IPL

* = REFER TO THE SERVICE REFERENCE INDICATED FOR MORE INFORMATION. (LOCATED AT END OF IPL)